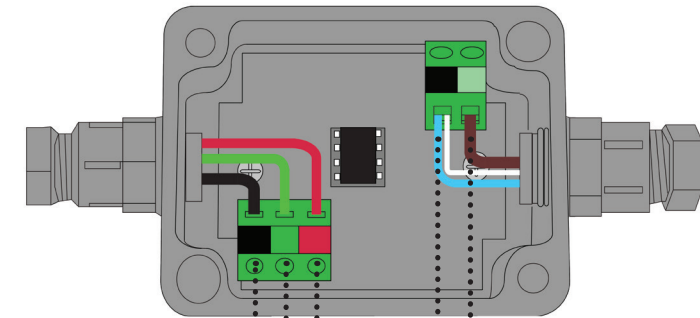


## UTA ammendment

Li-Cor recently updated their light level sensors. The new sensors are designated by an “R” at the end of the product code (for example, LI-1900R). The “R” designation requires a different wiring arrangement and is pictured below. The “R” version is on the left, and the old non-”R” version is pictured on the right.

Figure A.

LI-COR LI-190R, LI-200R



To logger, meter, etc

Gnd ← black terminal

Signal ← green terminal

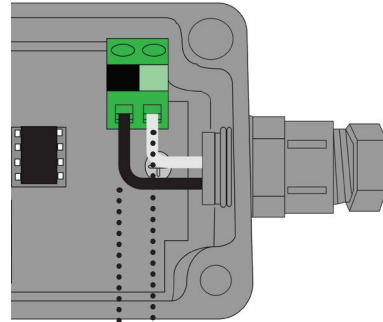
Power ← red terminal

light green terminal ← brown wire

black terminal ← blue wire + shield

Figure B.

LI-COR LI-190, LI-200



light green terminal ← clear wire

black terminal ← black wire

### For new LI-190R, LI-200R (A)

*From Li-Cor sensor:*

**brown wire** (signal) connects to **light green** screw-down terminal

**black wire + shield wire** (ground) connect to **black** screw-down terminal

*To data logger, meter, etc:*

red screw-down terminal connects to power

green screw-down terminal connects to signal

black screw-down terminal connects to ground

### For old LI-190, LI-200 (B)

*From Li-Cor sensor:*

**clear wire** (signal) connects to **light green** screw-down terminal

**black wire** (ground) connect to **black** screw-down terminal

*To data logger, meter, etc:*

red screw-down terminal connects to power

green screw-down terminal connects to signal

black screw-down terminal connects to ground